

Angle Connectors

Aluminum, for Aluminum Profiles (i-Modular System),
Corner Installation or Single / Double Installation

SPECIFICATION

Profile type

- Type **S**: Heavy

Identification no.

- **1**: Corner installation
- **2**: Single and double installation

Type

- Type **A**: Without fastening set

Aluminum

Anodized, natural color **N**

INFORMATION

Angle connectors GN 32i (identification no. 1) fasten aluminum profiles together at right angles and are primarily used for creating corner braces at 45° angles. Angle connectors GN 32i (identification no. 2) fasten single or double braces to aluminum profiles at an angle of 45°.

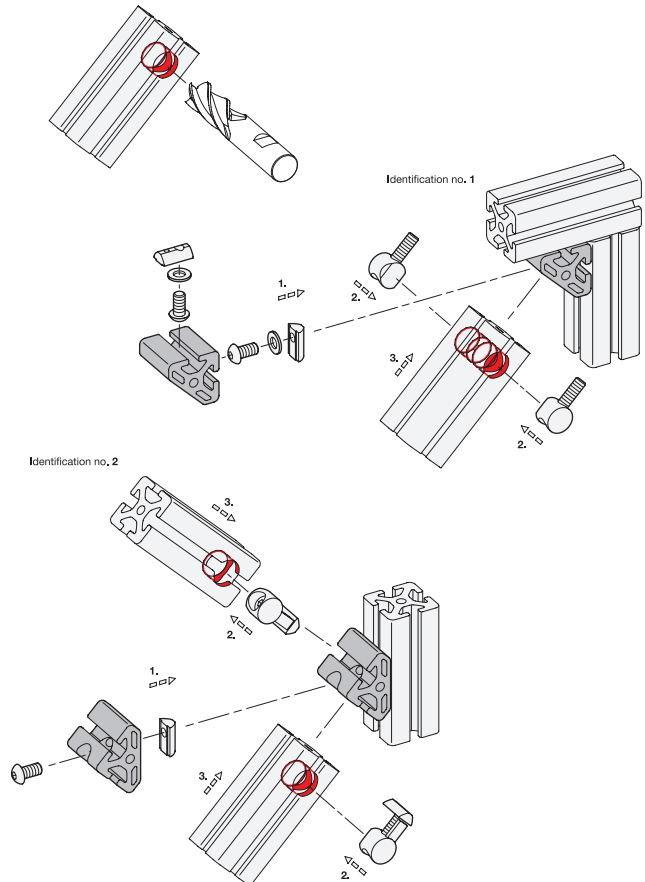
The braces are fastened with universal connectors GN 22i (see page). This requires their anti-twist protection to be removed (identification no. 1) and the profile to be machined (identification no. 1 and 2).

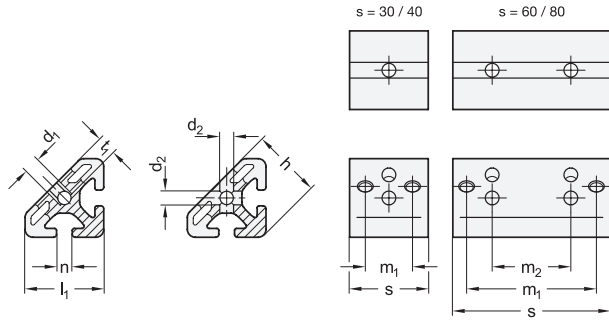
ACCESSORY

- Universal Connectors GN 22i (see page)
- T-Nuts GN 50i (see page)

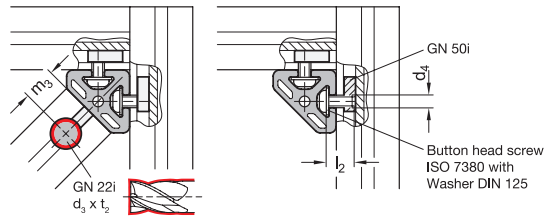


Assembly Instructions / Profile Machining



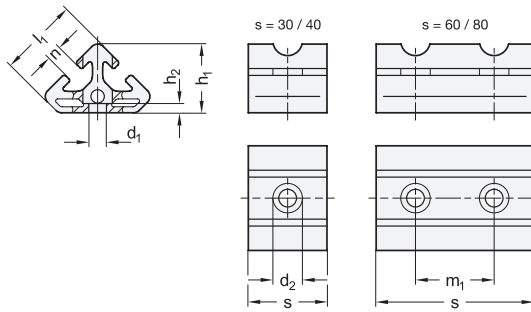


Assembly / profile machining

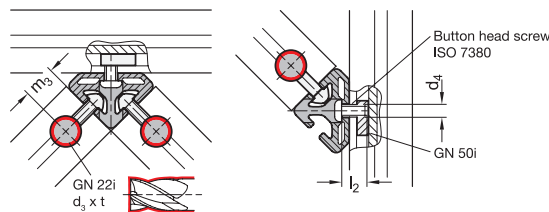


GN 32i-1

Description	s	l1	n	d1	d2	d3	d4	h	l2	m1	m2	m3 +0.5	t1	t2 +0.5	⚖
GN 32i-30306S-1-A-N	30	30	6	M 6	5.5	16	M 6	27.4	12	17.4	-	15	6.5	12.7	23
GN 32i-40408S-1-A-N	40	40	8	M 8	6.5	20	M 8	36.6	16	24	-	20	14	16	73
GN 32i-60306S-1-A-N	60	30	6	M 6	5.5	16	M 6	27.4	12	47.4	30	15	6.5	12.7	40
GN 32i-80408S-1-A-N	80	40	8	M 8	6.5	20	M 8	36.6	16	64	40	20	14	16	148



Assembly / profile machining



GN 32i-2

Description	s	l1	n	d1	d2	d3	d4	h1	h2	l2	m1	m3 +0.5	t +0.5	⚖
GN 32i-30306S-2-A-N	30	30	6	6.5	11	16	M 6	27.4	7.2	16	-	15	12.7	21
GN 32i-40408S-2-A-N	40	40	8	9	15	20	M 8	34.9	4.5	16	-	20	16	67
GN 32i-60306S-2-A-N	60	30	6	6.5	11	16	M 6	27.4	7.2	16	30	15	12.7	37
GN 32i-80408S-2-A-N	80	40	8	9	15	20	M 8	34.9	4.5	16	40	20	16	135

